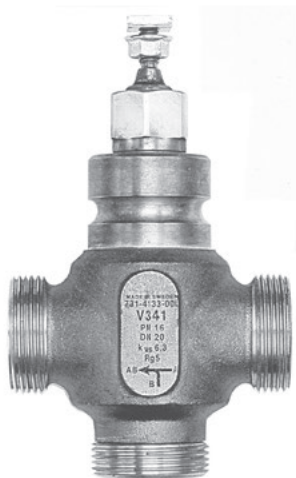


V341



Three-way Plug Valve, Bronze PN 16 (232 psi)

V341 can be used in a wide range of applications, such as heating, cooling, air handling and domestic hot water systems.

The valve can handle the following types of media:

- Hot and chilled water.
- Water containing phosphate or hydrazine additives.
- Water with antifreeze additives such as glycol.

If the valve is used for media at temperatures below 0 °C (32 °F), it should be equipped with a stem heater in order to prevent ice formation on the valve stem.

SPECIFICATIONS

Design three-way plug valve
 Pressure class PN 16(232 psi)
 Flow characteristics A - AB EQM
 Flow characteristics B - AB complementary
 Stroke 20 mm(0.79 in.)
 Rangeability Kv/Kvmin see table
 Leakage A - AB up to 0,02% of Kv/Cv
 Leakage B - AB up to 0,05% of Kv/Cv
 ΔPm 600 kPa(87 psi), water
 Max. temperature of medium: 150 °C(302 °F)
 Min. temperature of medium: -20 °C(-4 °F)

Connections

Valve . . external pipe thread according to ISO 228/1
 Connection sets see tables

Materials

Body Bronze Rg5
 Plug and seat stainless steel SS 2346
 Stem stainless steel SS 2346

Conn.		Kvs	Cvs	Item number	Range
DN	in.	m ³ /h		excl. connection	ability
15	½"	1.6	1.9	731-4121-000	>50
15	½"	2.5	2.9	731-4125-000	>50
15	½"	4.0	4.7	731-4129-000	>50
20	¾"	6.3	7.4	731-4133-000	>100
25	1"	10	11.7	731-4137-000	>100
32	1¼"	16	18.7	731-4141-000	>100
40	1½"	25	29.3	731-4145-000	>100
50	2"	38	44.5	731-4149-000	>100

Key to Technical specification

- The rangeability is the ratio of Kv and Kv_{min} (Cv and Cv_{min}).
- Kv (Cv) is the flow through the valve in m³/h at the specified valve lift and at a pressure drop of 100 kPa across the valve.
- Kv_{min} (Cv_{min}) is the minimum controllable flow (m³/h) at a pressure drop of 100 kPa within the range in which the valve characteristics conform to the slope requirements of IEC 534-1.

DESIGN AND CHARACTERISTICS

The design of the V341 gives good resistance against solid particles in the fluid. The plug is guided throughout the lift, which reduces the risk for vibrations.

The V341 is designed to be used as a mixing valve.

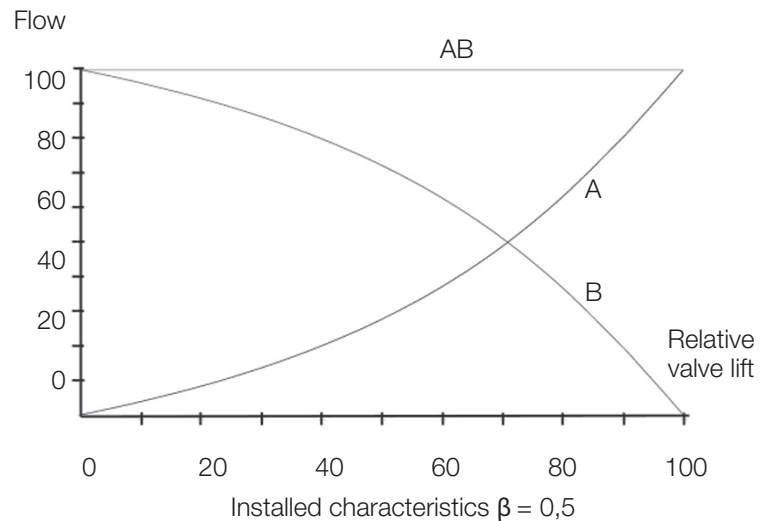
The valve closes port A with the stem up.

The flow characteristics A -AB of the V341 is equal percentage modified. This characteristic makes it possible to control low flow rates down to almost closed position.

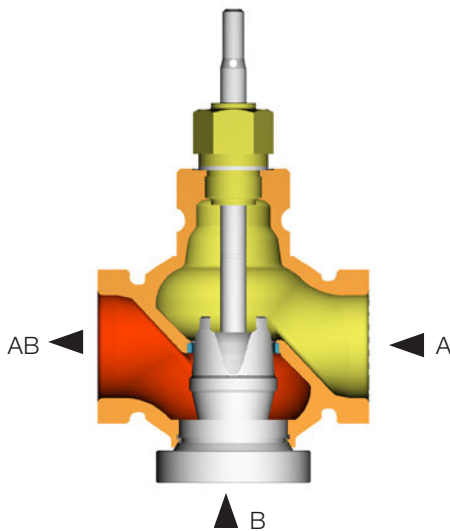
This particularly important for achieving good control performance in systems with wide load variations.

The flow characteristics B - AB is complement to A - AB for constant sum of flow at $\beta = 0,5$.

CHARACTERISTICS



DESIGN



CAVITATIONS

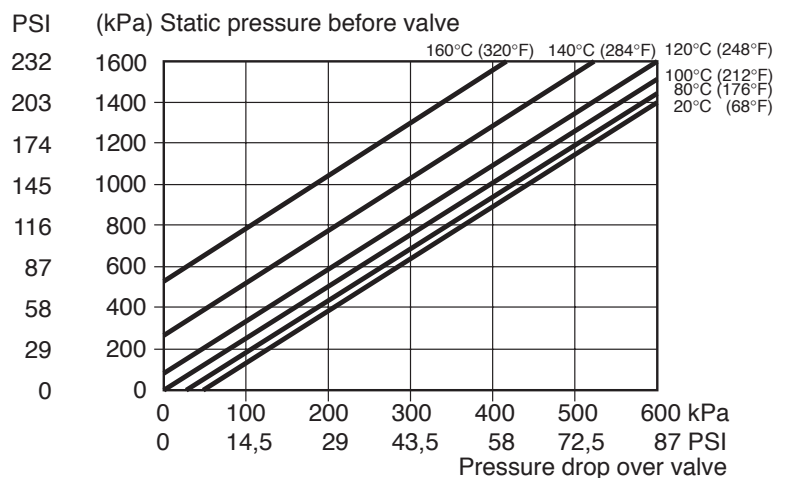
Cavitation takes place in a valve when the velocity of the flow between the plug and seat increases to the extent that gas bubbles are created in the water.

When, after the plug and seat, the velocity decreases, the gas bubbles collapse (implode), generating considerable noise and causing considerable wear on the valve.

By means of the cavitation diagram shown in the figure it can be checked if risk of cavitation exists with the working conditions in the pertinent installation.

CAVITATIONS

Pressure drop chart at the beginning of cavitation



Pressure drop limit where cavitation might occur. Is dependent of valve inlet pressure and temperature of water.

Proceed as follows: Using the static pressure before the valve (e.g. 1000 kPa), plot the horizontal line to the line for the temperature of the liquide (e.g. 120 °C).

From the intersection point, plot a vertical line downwards and read off the max.permissible pressure drop across the valve.

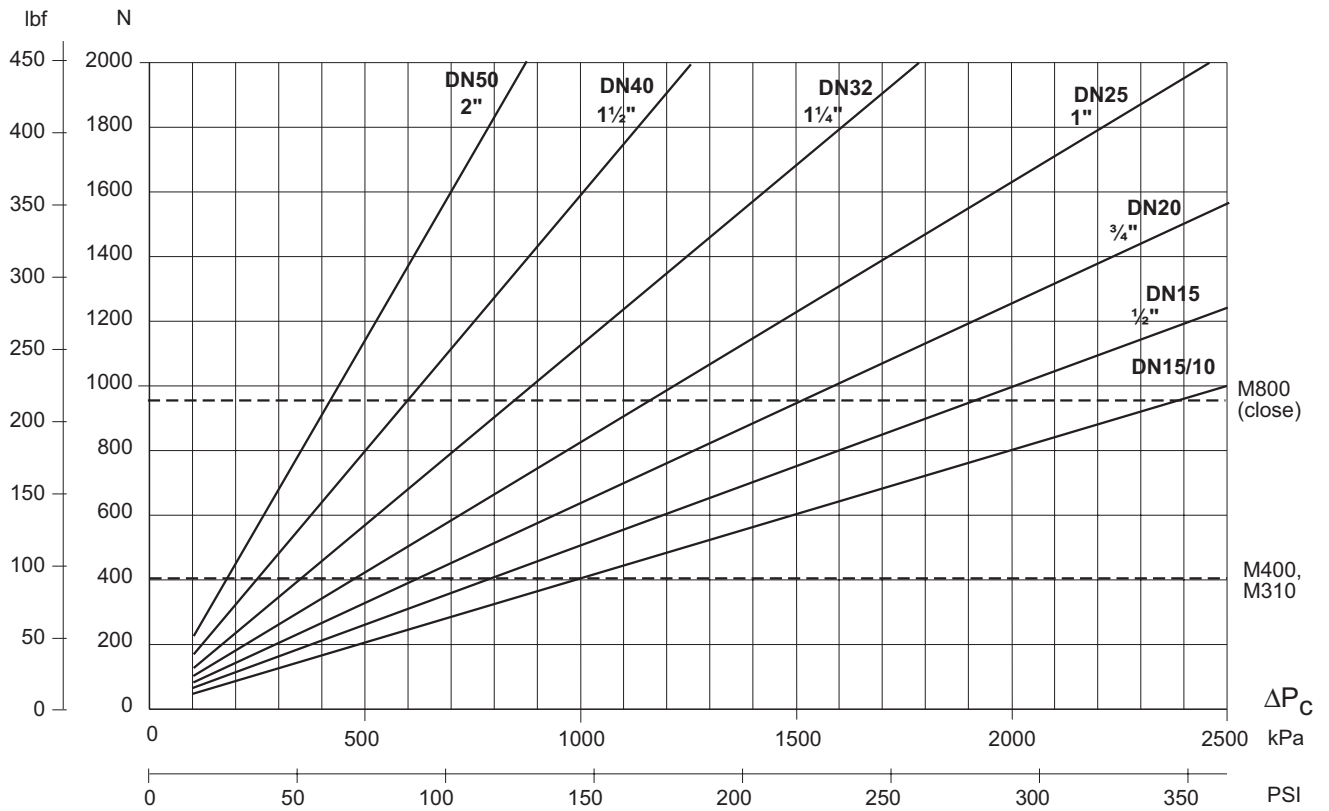
If the computed pressure drop exceeds the value read from the diagram there is risk for cavitation.

SPECIFICATION OF ACTUATOR

Use the diagram below to select the actuator motor for the V341 to close the required ΔP_c .

A suitable actuator is selected, using the data sheet F-10-06.

ACTUATOR POWER



INSTALLATION

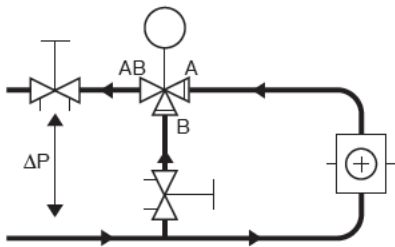
The valve should be mounted with flow direction in accordance with the valve marking.

It is recommended to install the valve in the return pipe, in order to avoid exposing the actuator to high temperatures.

The valve must not be installed with the actuator mounted below the valve.

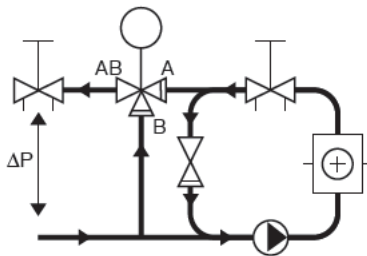
To ensure that suspended solids will not become jammed between the valve plug and seat, a filter should be installed upstream of the valve, and the pipe system should be flushed before the valve is installed.

INSTALLATION



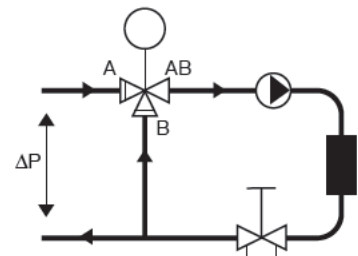
A. Circuit without local circulating pump.

To obtain good function the pressure drop across the valve should be no less than half of the available pressure drop (ΔP). This will give a valve authority of 50%.



B. Circuit with local circulating pump.

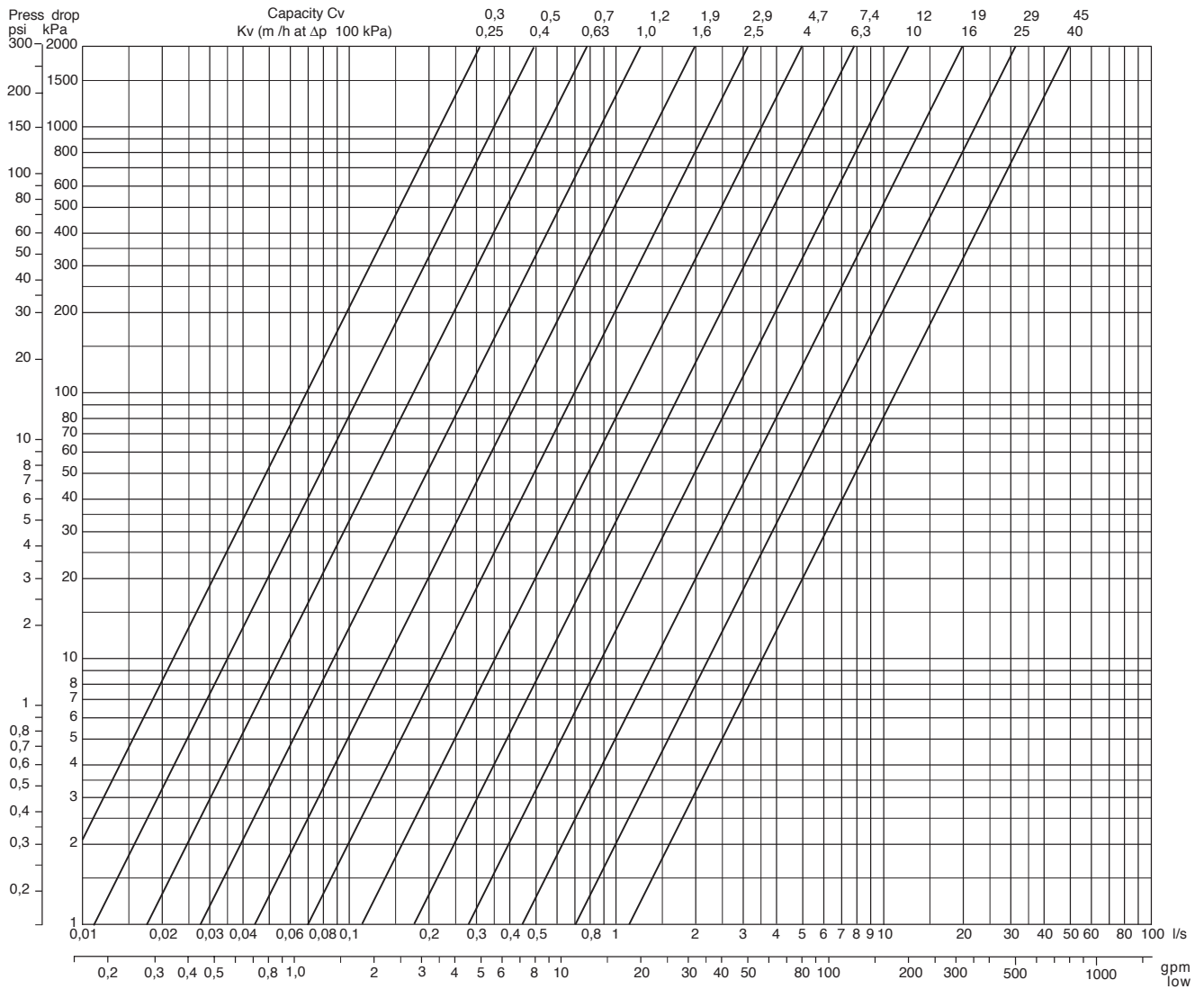
The K_v (C_v) value of the valve to be selected so that the entire available pressure drop, ΔP , falls across the control valve.



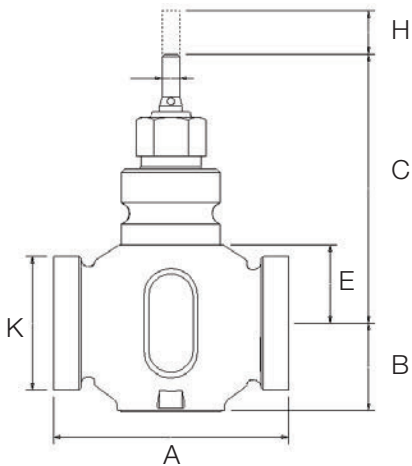
C. Circuit with local circulating pump.

The K_v (C_v) value of the valve to be selected so that the pressure drop across the control valve becomes equal to or greater than ΔP .

PRESSURE DROP CHART



DIMENSIONS AND WEIGHT



Conn.		Dimensions										Weight		
		A		B		C		E		H		K		
DN	In.	mm	In.	mm	In.	mm	In.	mm	In.	mm	In.	In.	kg	lb.
15	½"	100	3.94	50	1.97	109.5	4.31	23.5	0.93	20	0.79	1"	1.1	2.4
20	¾"	100	3.94	50	1.97	116	4.57	30	1.18	20	0.79	1¼"	1.3	2.9
25	1"	105	4.13	52.5	2.07	120	4.72	34	1.34	20	0.79	1½"	1.6	3.5
32	1¼"	105	4.13	52.5	2.07	121	4.76	35	1.38	20	0.79	2"	2.0	4.4
40	1½"	130	5.12	65	2.56	128.5	5.06	42.5	1.67	20	0.79	2¼"	2.9	6.4
50	2"	150	5.91	75	2.95	139	5.47	53	2.09	20	0.79	2¾"	4.6	10.1

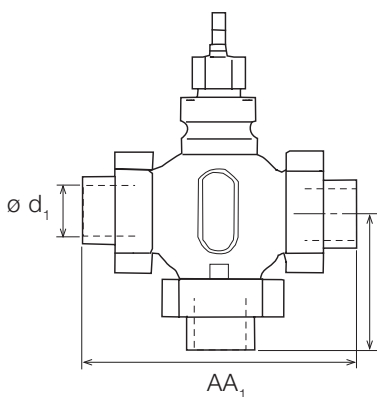
SPARE PARTS

Stuffing box

Standard type S max 150 °C(302°F)

Item number 1-001-0800-0

INTERNAL THREAD CONNECTION



Valve		Int. thread	AA ₁		BB ₁		Item no. for conn., one pkg/port	
DN	in.	ø d ₁ ,	mm	in.	mm	in.	w/Packing, std	w/Packing, spec.**
15	½"	R ½"	146	5.75	73	2.87	911-2100-015	911-2103-015
20	¾"	R ¾"	146	5.75	73	2.87	911-2100-020	911-2103-020
25	1"	R 1"	159	6.26	79,5	3.13	911-2100-025	911-2103-025
32	1¼"	R 1¼"	169	6.26	84,5	3.33	911-2100-032	911-2103-032
40	1½"	R 1½"	197	7.76	98,5	3.88	911-2100-040	911-2103-040
50	2"	R 2"	222	8.74	111	4.37	911-2100-050	911-2103-050

* Thread according to ISO 7/1

** The accessory combination "w/Packing, special" is intended for the primary circuit of district heating connections.

Materials

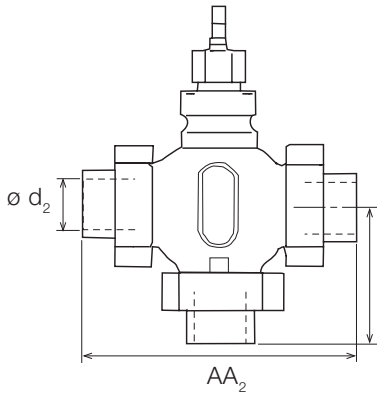
Union nut malleable iron casting, galv.

Union end. malleable iron casting, galv.

Packing, standard Klingsil C4400

or Packing, spec
Klingsil Top chem 1,5 mm(0.059 in.)

SOLDERING TYPE CONNECTION



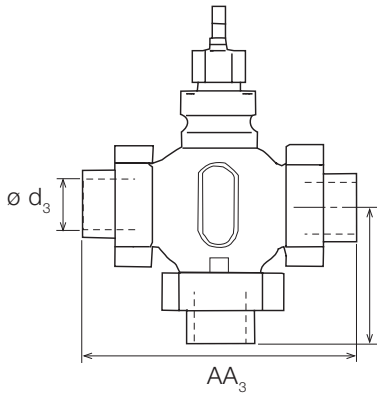
Materials

Union nut malleable iron casting, galv.
 Union end. Bronze, SS 5204
 Packing, standard Klingersil C4400
 or Packing, spec
 Klingersil Top chem 1,5 mm (0.059 in.)

Valve		$\varnothing d_2$		AA_2		BB_2		Item no. for conn., one pkg/port	
DN	in.	mm	in.	mm	in.	mm	in.	w/Packing, std	w/Packing, spec.*
15	½"	15	0.59	136	5.35	68	2.68	911-2101-015	911-2104-015
20	¾"	22	0.87	146	5.75	73	2.87	911-2101-020	911-2104-020
25	1"	28	1.10	155	6.10	77,5	3.05	911-2101-025	911-2104-025
32	1¼"	35	1.38	163	6.42	81,5	3.21	911-2101-032	911-2104-032
40	1½"	42	1.65	200	7.87	100	3.94	911-2101-040	911-2104-040
50	2"	54	2.13	232	9.13	116	4.57	911-2101-050	911-2104-050

* The accessory combination "w/Packing, special" is intended for the primary circuit of district heating connections.

WELDED TYPE CONNECTION



Materials

Union nut . . . malleable iron casting, galv. (except ¹⁾)
 Union end. Steel, SS 2172, SS 2174
 Packing, standard Klingsil C4400
 or Packing, spec
 Klingsil Top chem 1,5 mm (0.059 in.)

Valve		$\varnothing d_3$		AA_3		BB_3		Item no. for conn., one pkg/port	
DN	in.	mm	in.	mm	in.	mm	in.	w/Packing, std	w/Packing, spec.*
15	½"	21.3	0.84	182	7.17	91	3.58	911-2102-015	911-2105-015 ¹⁾
20	¾"	26.9	1.06	182	7.17	91	3.58	911-2102-020	911-2105-020 ¹⁾
25	1"	33.7	1.33	187	7.36	93.5	3.68	911-2102-025	911-2105-025 ¹⁾
32	1¼"	42.4	1.67	197	7.76	98.5	3.68	911-2102-032	911-2105-032 ¹⁾
40	1½"	48.3	1.90	232	9.13	116	4.57	911-2102-040	911-2105-040
50	2"	60.3	2.37	262	10.31	131	5.16	911-2102-050	911-2105-050

¹⁾ Material Union nut: Brass, SS 5252

* The accessory combination "w/Packing, special" is intended for the primary circuit of district heating connections.